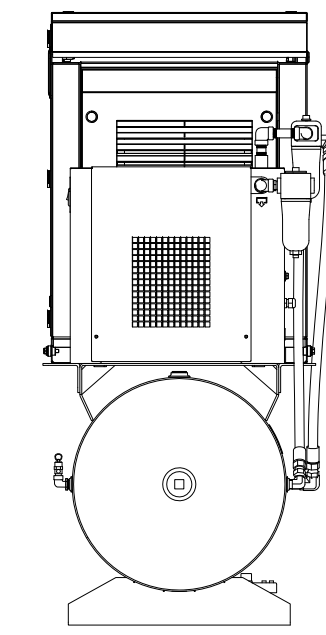
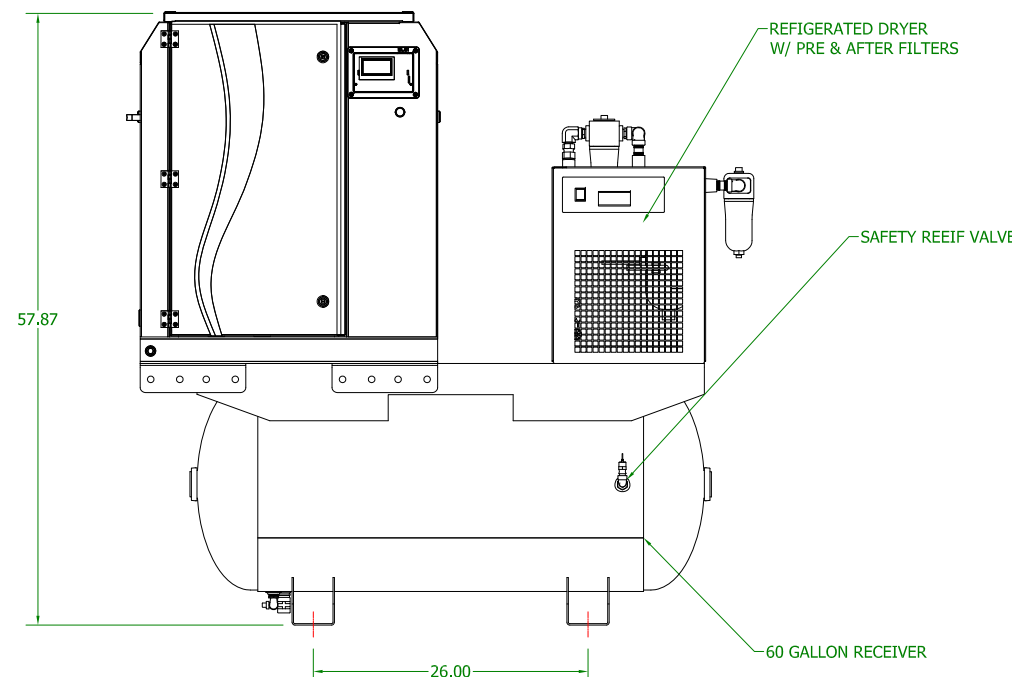
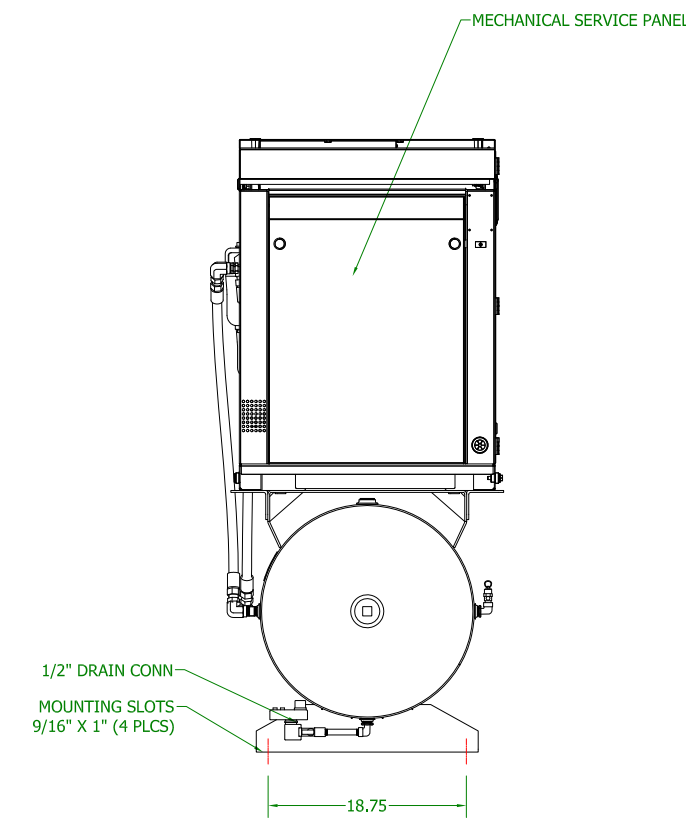
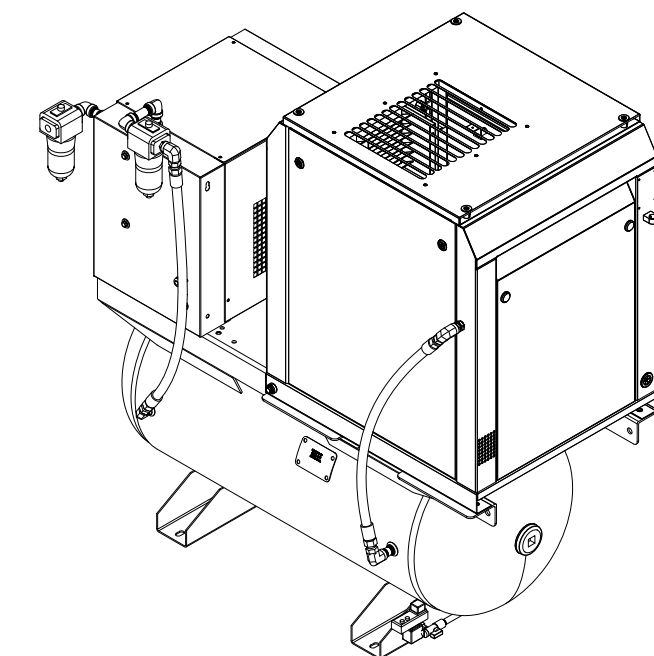
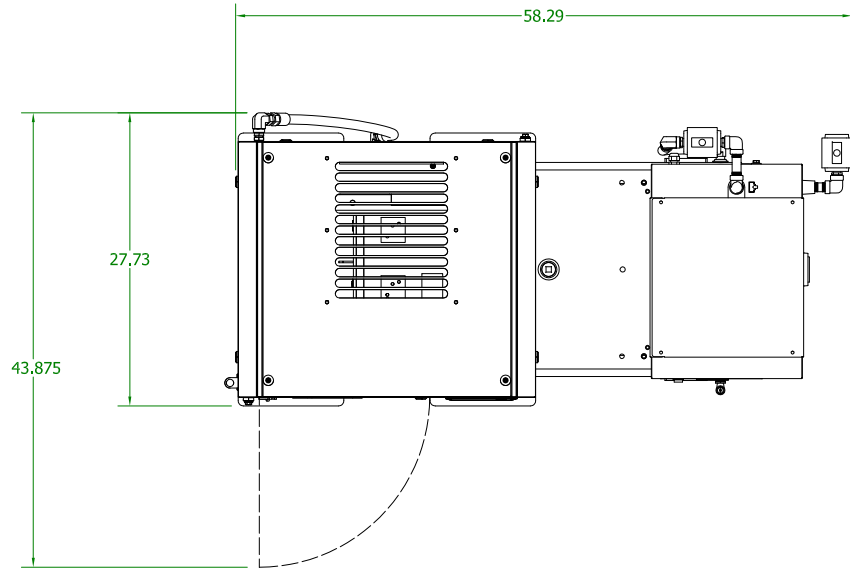
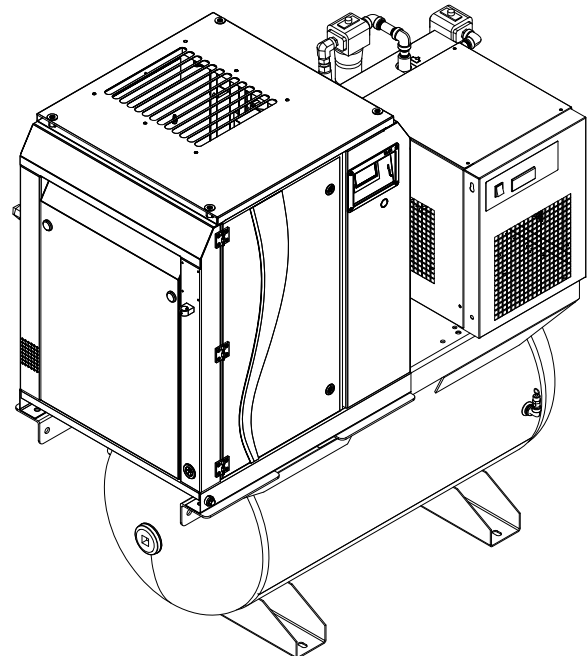


- NOTES:**
1. MINIMAL 36" CLEARANCE REQUIRED ALL SIDES.
 2. WEIGHT = 975 lbs.

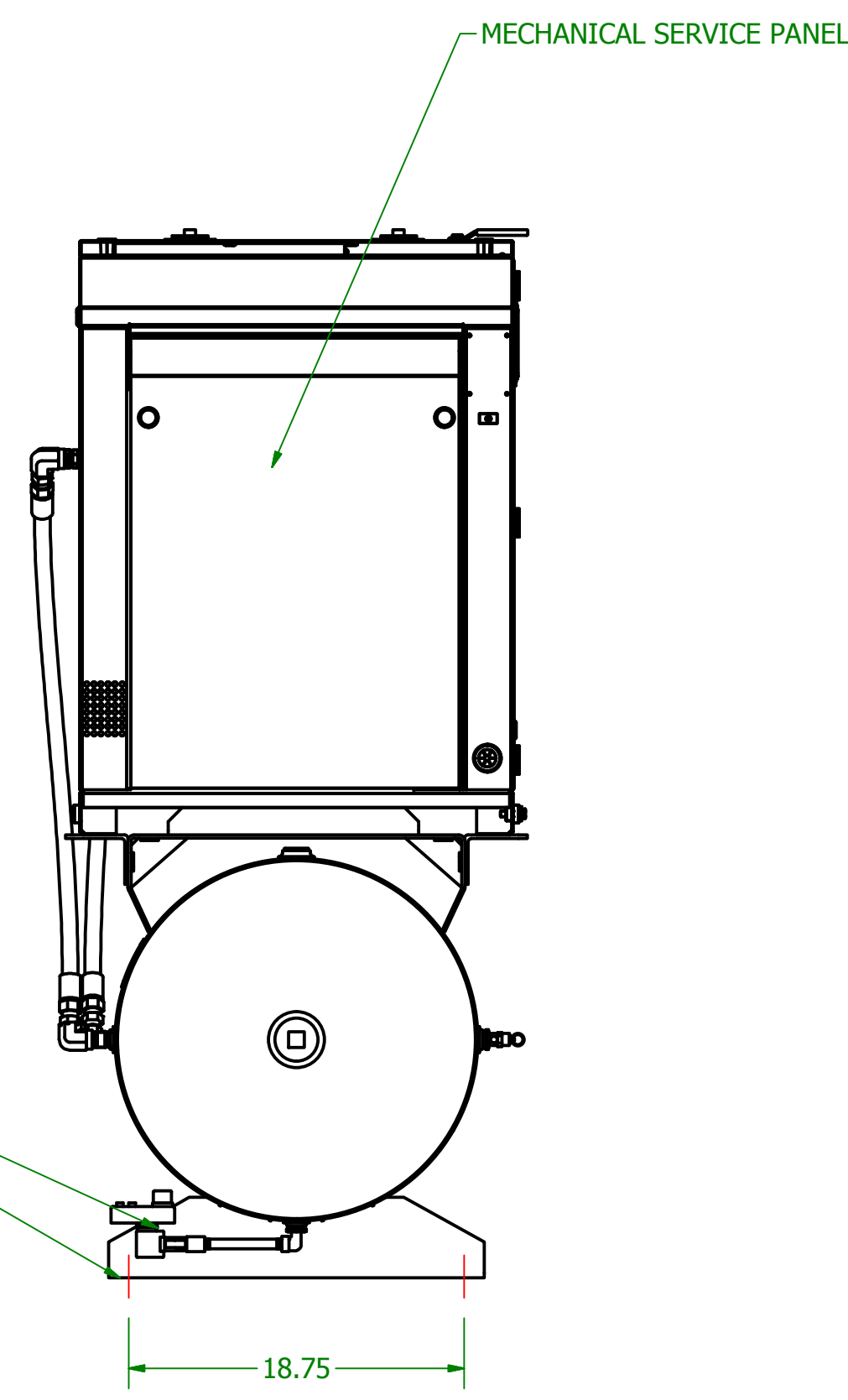
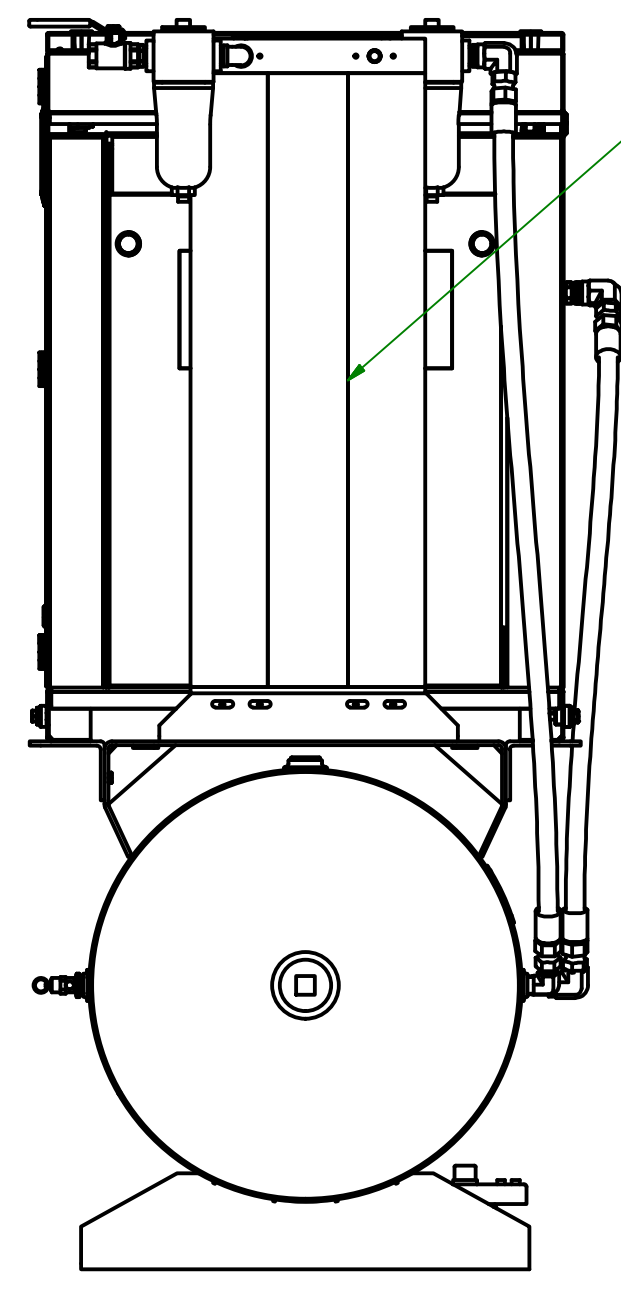
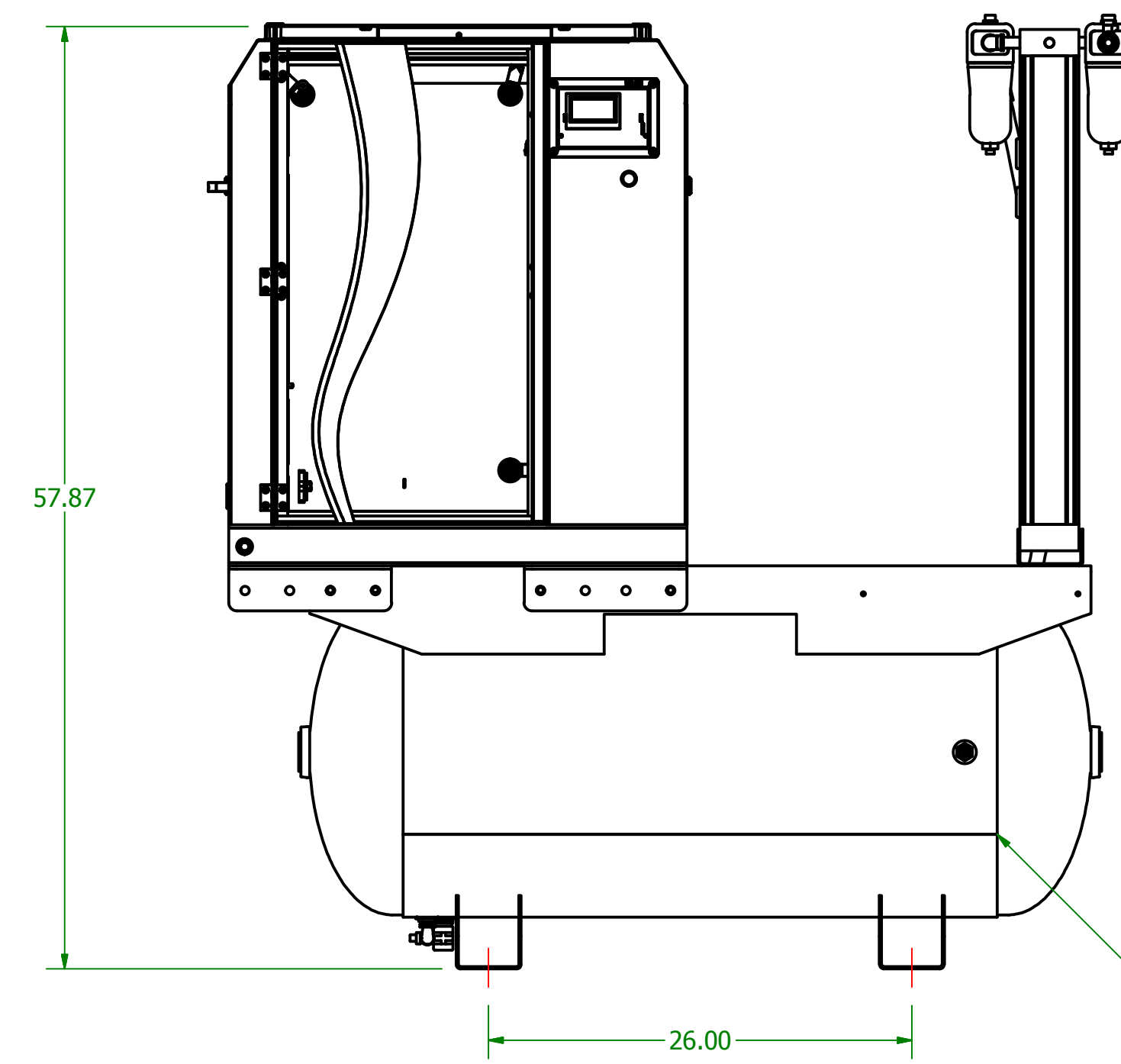
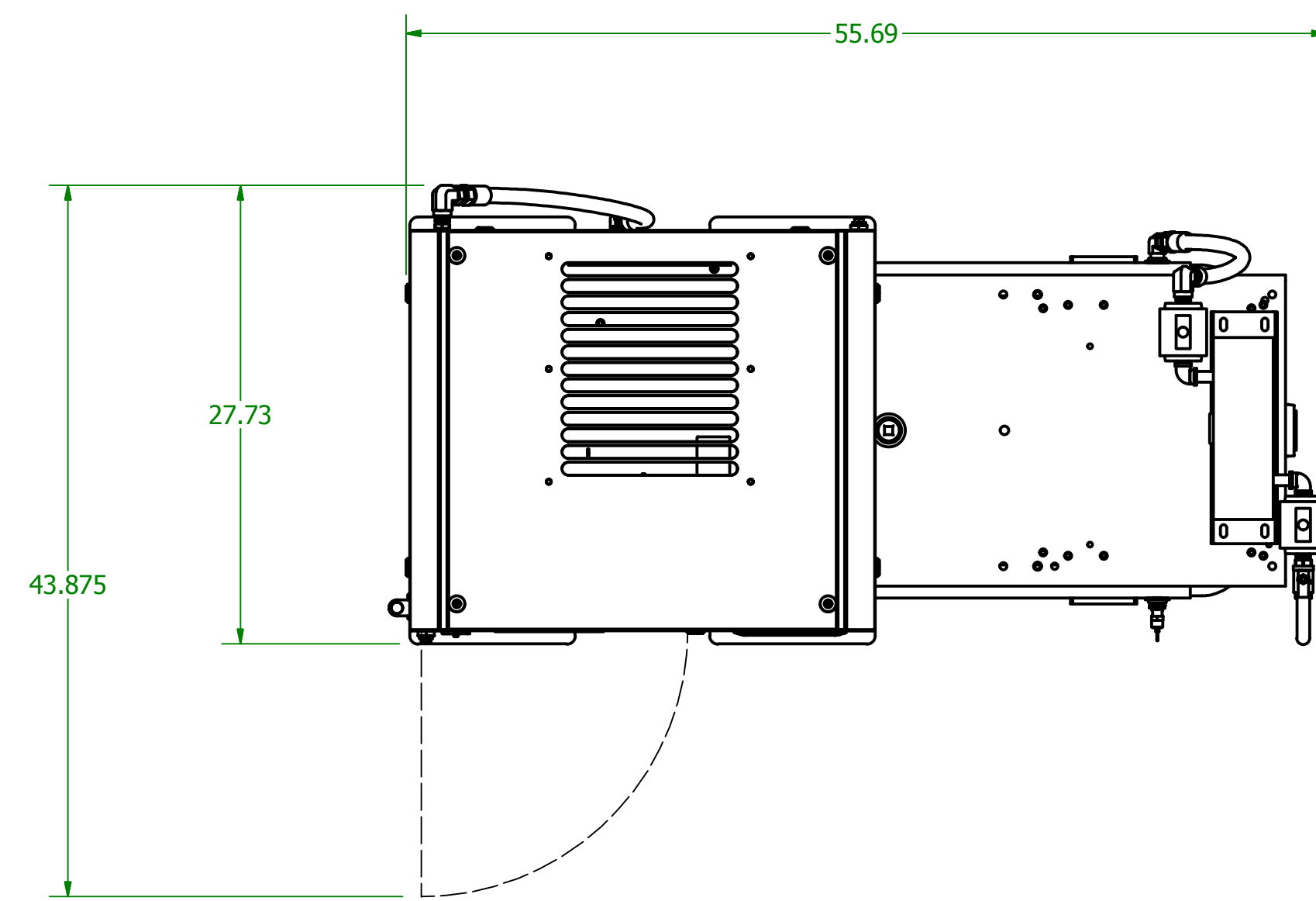
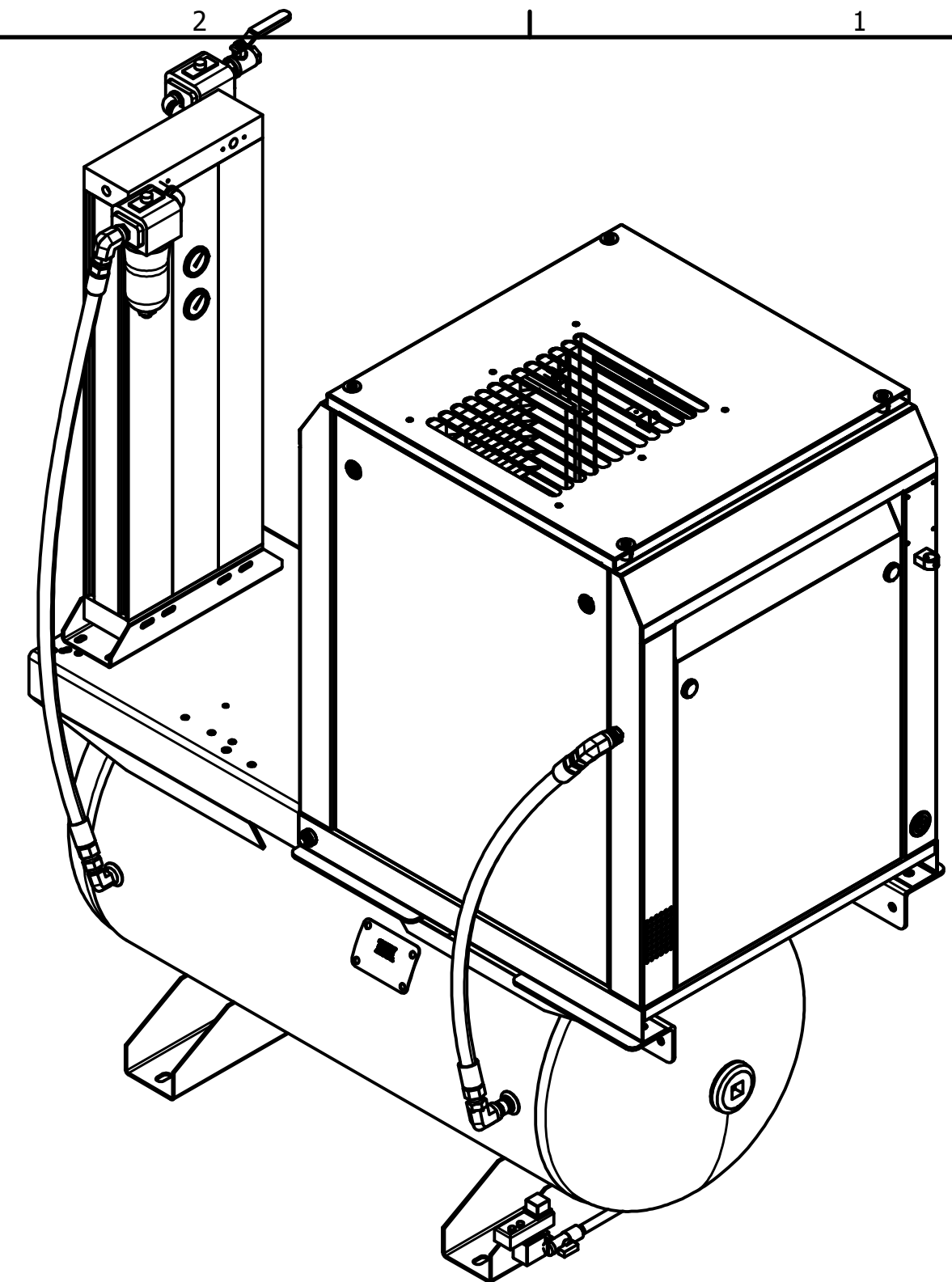
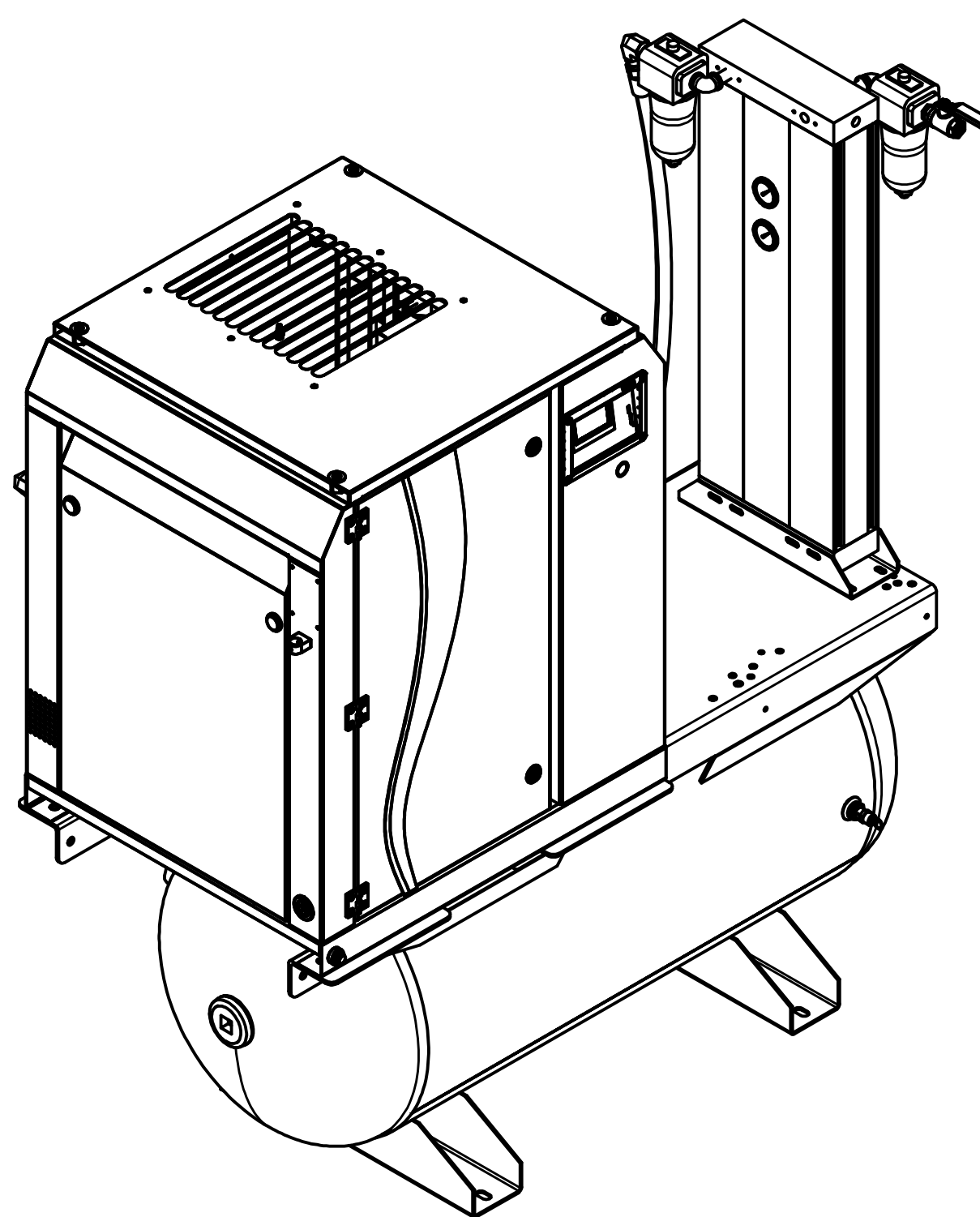
ELGI			
TITLE: GENERAL ASSEMBLY ELGI EN02-05 TANK MOUNT			
DRAWN: PAUL LOVER	DATE: 11/15/2016	This drawing and the information contained thereon remain the property of ELGI Compressors USA, Inc. and may not be used for other than the purposes for which it is loaned without the expressed written permission from ELGI Engineering.	
CHECKED:	DATE:	DRAWING NO: EN02-05-1XX-60T-A2X-ASM	REV: A
REVISED:	DATE:	SCALE:	SIZE:



- NOTES:**
1. MINIMAL 36" CLEARANCE REQUIRED ALL SIDES.
 2. WEIGHT = 1160 lbs.

TOLERANCES UNLESS OTHERWISE SPECIFIED		DECIMAL			
DIMENSION	FRACTION	3 PLACE	2 PLACE	1 PLACE	0 PLACE
UNLESS NOTED	± 1/32"	± 0.005	± 0.010	± 0.020	± 0.030
UNLESS NOTED	± 1/64"	± 0.002	± 0.005	± 0.010	± 0.020
UNLESS NOTED	± 1/16"	± 0.003	± 0.006	± 0.012	± 0.025

ELGI		ELGI	
TITLE: GENERAL ASSEMBLY ELGI EN2.2-EN5.5 OIL FLOODED SCREW COMPRESSOR, 60 GALLON RECEIVER W/ REFRIGERATED DRYER, PRE & AFTER FILTER			
DRAWN: PAULLOVER	DATE: 09/26/2016	This drawing and the information contained thereon remain the property of ELGI Compressors USA, Inc. and may not be used for other than the purpose for which it is loaned without the expressed written permission from ELGI Engineering.	
CHECKED:	DATE:		
REVISIONS:	DATE:	DRAWING NO: EN02-05-1XX-60T-G2X-ASM	REV: A
SCALE:	SIZE:		



DESICCANT DRYER
W/ PRE & AFTER FILTERS

60 GALLON RECEIVER

NOTES:

1. MINIMAL 36" CLEARANCE REQUIRED ALL SIDES.
2. WEIGHT = 1160 lbs.

TOLERANCES UNLESS OTHERWISE SPECIFIED:	3 PLACE DECIMAL	2 PLACE DECIMAL	1 PLACE DECIMAL	FRAC TION
DIMENSION	±.010	±.005	±.006	±.002
HOLE	±.010	±.005	±.006	±.002
OVER	±.010	±.005	±.006	±.002

ELGi		GENERAL ASSEMBLY EN04 ELGI SCREW, TANKMOUNT 60 GALLON RECEIVER WITH DESICCANT DRYER	
DATE:	7/19/2017	BY:	PAUL R. LOVER
CHECKED:		DATE:	
REVISED:		DATE:	
SCALE:	D	SIZE:	EN04-1XX-60T-K2X-ASM

1/2" DRAIN CONN
MOUNTING SLOTS
9/16" X 1" (4 PLCS)

18.75